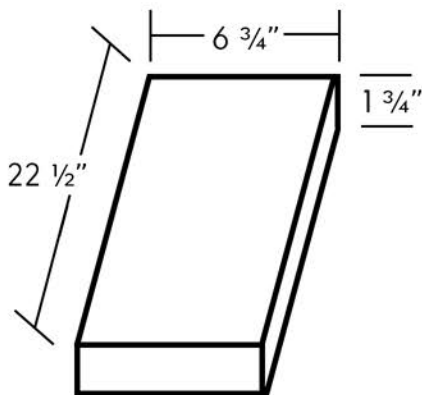


ACCESSORIES  
TECHNICAL DATA

# WINDOW TRIM

DESCRIPTION	DIMENSIONS	QUANTITY PER BOX/ SKID	WEIGHT BY THE BOX/ SKID
TEXTURED SURFACE LIGHTLY CHISELED STRAIGHT EDGES	6 ¾" W 22 ½" L 1 ¾" D	8 PER BOX 16 BOXES PER SKID 128 PER SKID	15 LBS EACH 120 LBS 1970 LBS PER SKID*
COMMONLY USED TO ACCENT THE SIDES OF WINDOWS, DOORS, AND HEADERS			

\*50 LBS ADDED FOR PALLET WEIGHT



MEASUREMENT TOLERANCE: ¼"



## AVAILABLE COLORS

