

ACCESSORIES
TECHNICAL DATA

WATERTABLE SILL

DESCRIPTION	DIMENSIONS	QUANTITY PER BOX/ SKID	WEIGHT BY THE BOX/ SKID
ROUGH SPLIT FACE SURFACE COMMONLY USED TO TRANSITION BETWEEN WAINSCOT MATERIALS	3" W 23 1/2" L 2 1/2" D	10 PER BOX 16 BOXES PER SKID 160 PER SKID	10 LBS EACH 100 LBS PER BOX 1650 LBS PER SKID*

*50 LBS ADDED FOR PALLET WEIGHT



AVAILABLE COLORS



BROWN



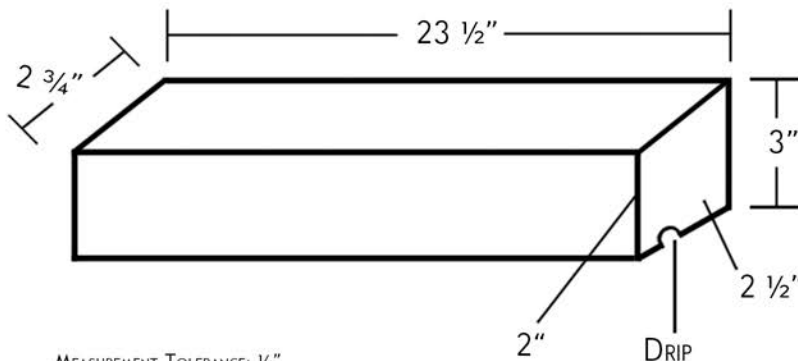
GRAY



TAN



PORTLAND



MEASUREMENT TOLERANCE: 1/4"