

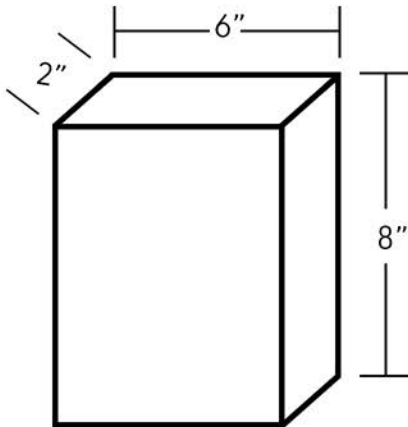
ACCESSORIES TECHNICAL DATA

ROWLOCK

DESCRIPTION	DIMENSIONS	QUANTITY PER BOX/ SKID	WEIGHT BY THE BOX/ SKID
CHISELED SURFACE	2" W	24 PER BOX	7 LBS EACH
COMMONLY USED	6" L	16 BOXES PER SKID	168 LBS PER BOX
AS A DECORATIVE BORDER	8" D	384 PER SKID	2738 LBS PER SKID*

*50 LBS ADDED FOR PALLET WEIGHT

AVAILABLE COLORS



BROWN



GRAY



TAN



PORTLAND

MEASUREMENT TOLERANCE: 1/4"